

# ***JP SERIES***

## Unitary Piston Compressor/Vacuum Pumps



### Benefits

- Long Service Free Life
- Low Vibration & Sound Level
- Corrosion Resistance
- Cool Operating Temperature
- Restart Against Load

### Features

- Thin-walled, Hard Coated Anodized Cylinder
- Oil-less, Non-lube PTFE Piston Seal
- Permanently Lubricated Ball Bearings
- Balanced Eccentric/Connecting Rod Assembly
- Vibration Isolators
- Epoxy E-Coated Wetted Aluminum Components
- Stainless Steel Valves, Retainers and Screws
- Die Cast Aluminum Components
- High Torque DC Motor

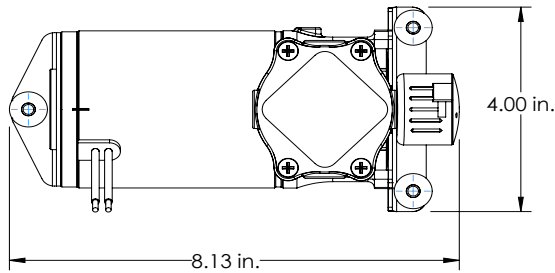


TruNorth Components, Inc.  
2100 Sunset Drive  
Plymouth, WI 53073  
Phone: (855) 449-7867  
[www.trunorthcomponents.com](http://www.trunorthcomponents.com)

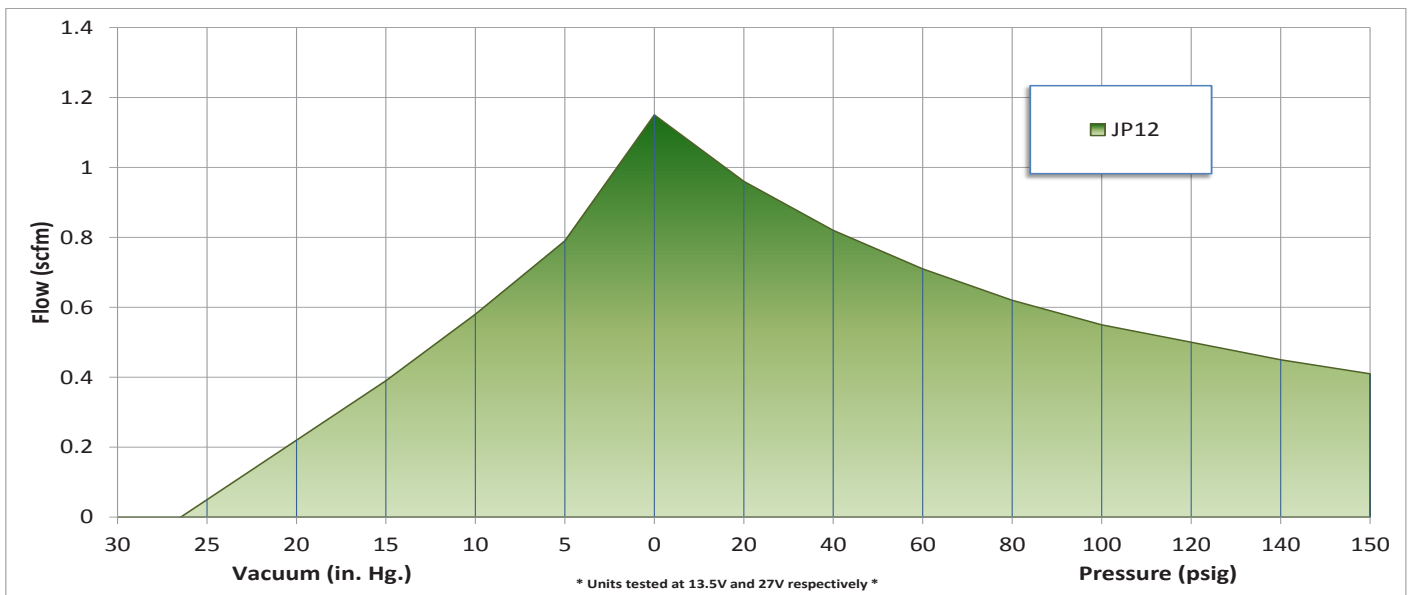
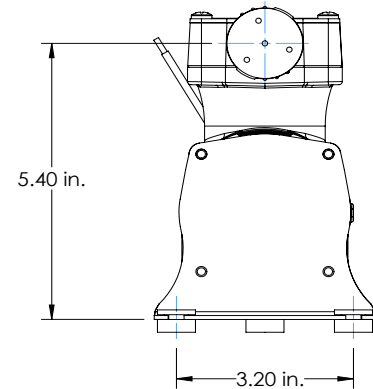
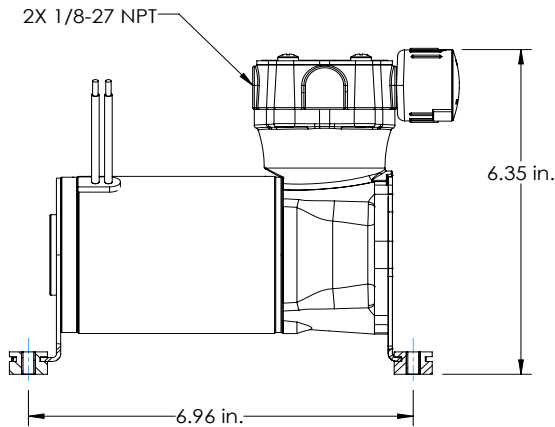


# JP Series Performance Data

Model Number	JP12 (12VDC)	JP12 (24VDC)
Head Configuration	Pressure/Vacuum	Pressure/Vacuum
Free Air Flow	1.10 SCFM	1.10 SCFM
Max Intermittent Pressure	150 PSIG	150 PSIG
Max Restart Pressure	150 PSIG	150 PSIG
Max Vacuum	27" Hg	27" Hg
Max Restart Vacuum	27" Hg	27" Hg
Max Ambient Air Temp	125° F	125° F
Min Ambient Start Temp	-20° F	-20° F
Motor Voltage	12VDC	24VDC
Motor Type	Permanent Magnet	Permanent Magnet
Current at Rated Load	17.8 Amps	8.5 Amps
Power at Rated Load	233 Watts	230 Watts
Starting Current (Locked Rotor)	134 Amps	67 Amps
Min Full Load Speed	3163 RPM	3497 RPM
Thermal Protector	Yes	Yes
Weight	5.8 lbs	5.8 lbs
Duty Cycle	TBD	TBD



Note: Duty Cycle, time on/time off to be determined based on each customer's application requirements.



The information presented in this material is based on technical data and test results of nominal units. It is believed to be accurate and reliable and is offered as an aid to help in the selection of TruNorth products. It is the responsibility of the user to determine if this product is suitable for the intended use. The user assumes all risk and liability whatsoever in connection therewith. TruNorth does not warrant, guarantee or assume any obligation in connection with this information.